

MODEL 8000/8011 COMMERCIAL RISERPACK® INSTALLATION INSTRUCTIONS

WARNING: System must be flushed clean of any debris or pipe chips. Failure to flush the system clean can damage the valve and will void the warranty. **NOTE:** This unit may be shipped in a semi-assembled state. **IF A RELIEF VALVE IS INCLUDED DO NOT INSTALL THE RELIEF VALVE BEFORE THE SYSTEM INTEGRITY TEST. SYSTEM CANNOT BE PRESSURE TESTED WITH RELIEF VALVE INSTALLED.**

Installing RISERPACK®

- Determine installation location and orientation of Model 8000/8011 RISERPACK®: drain to right, drain to left, horizontal, or vertical.
- If necessary, tighten AGF Model 7500 Pressure Gauge so that gauge face is visible when RISERPACK® is in desired orientation position.
- Install preassembled RISERPACK® to sprinkler system inlet as directed by code and AHJ. Confirm flow arrow direction. **NOTE:** Some local codes require the use of a meter, a backflow preventer, and/or a check valve prior to the inlet of the RISERPACK®.
- Attach outlet of RISERPACK® to system supply piping and complete system installation. **NOTE:** Local codes will dictate riser drain requirements.
- When system is completely assembled, close Model 2500/2511 TESTANDRAIN® ball valve and perform system integrity test. **NOTE:** System may be accessed for testing through ½" system access port on TESTANDRAIN® ball valve.

Installing Pressure Relief Valve (Model 8011)

NOTE: SYSTEM CANNOT BE TESTED WITH RELIEF VALVE INSTALLED.

- The optional pressure relief valve should be installed after the completion of system installation and integrity testing.
- Shut off the floor control valve and depressurize the system. DRAINING SYSTEM IS NOT NECESSARY.
- Turn the Model 2511 TESTANDRAIN® handle to the "DRAIN" position. Remove ½" system access port plug. Using appropriate sealant, install Model 7000 Pressure Relief Valve to Model 2511 TESTANDRAIN® ball valve and then close ball valve.
- Remove plastic plug from Model 2511 TESTANDRAIN® ball valve's relief valve bypass drain inlet and install ½" X-barb elbows into relief valve outlet and bypass drain inlet.
- Install nylobraid tubing to X-barb elbows by rolling the barb elbow into the tubing on the last turn of the elbow. Slide one plastic clamp over each barb fitting and secure with pliers.
- Return floor control valve to full open position.

LIMITED WARRANTY: AGF Manufacturing Inc. warrants each product against defects in material for a period of one year from the date of the original shipment. In the event of such defects within the warranty period, the Company will, at its option, replace or recondition the product without charge. This shall constitute the exclusive remedy for breach of contract, and the Company shall not be responsible for any incidental or consequential damages, including, without limitation, damages or other costs resulting from labor charges, delays, vandalism, negligence, fouling caused by foreign material, damage from adverse water conditions, chemicals, or any other circumstances over which the Company has no control. This warranty shall be invalidated by any abuse, misuse, misapplication, or improper installation of the product. THE COMPANY MAKES NO OTHER WARRANTIES EXPRESS OR IMPLIED EXCEPT AS PROVIDED IN THIS WARRANTY.



AGF Manufacturing Inc.
100 Quaker Lane, Malvern, PA 19355

Phone: 610-240-4900
Fax: 610-240-4906

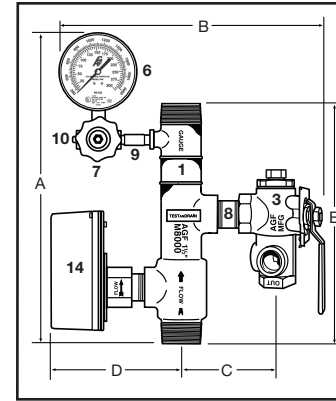
www.testandrain.com

Thank You For Using Our Products!
For our complete family of products,
visit us online at www.testandrain.com.

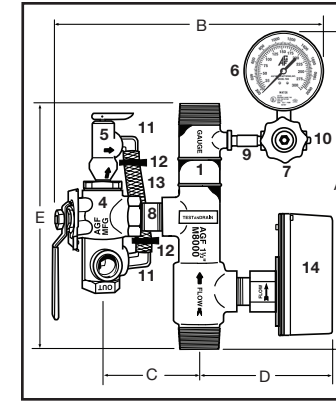
RISERPACK and TESTANDRAIN are registered trademarks of AGF Manufacturing Inc.

MODEL 8000/8011 COMMERCIAL RISERPACK® ASSEMBLY

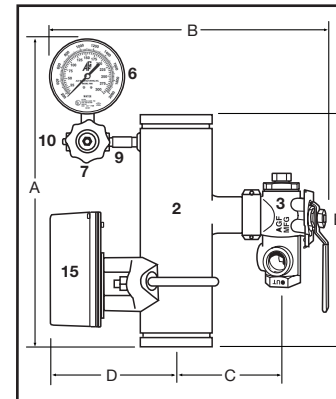
1¼" — 2" MODEL 8000



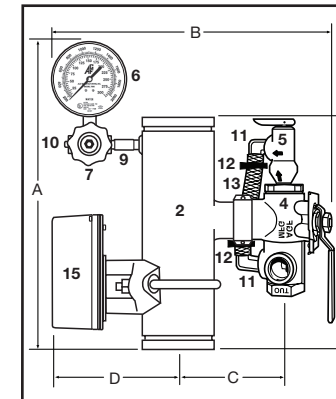
1¼" — 2" MODEL 8011



2½" — 6" MODEL 8000



2½" — 6" MODEL 8011



COMPONENTS

No.	Part	Qty.
1	RISERPACK® - Bronze Casting	1
2	RISERPACK® - Sch. 40 Steel with Red Powdercoated Finish	1
3	M2500 TESTANDRAIN® Ball Valve	1
4	M2511 TESTANDRAIN® Ball Valve	1
5	M7000 Pressure Relief Valve	1
6	M7500 Pressure Gauge	1
7	M7600 ¼" 3-Way Globe Valve	1
8	Brass Nipple	1
9	Brass Nipple	1
10	¼" Brass Plug	1
11	½" Brass NPT x Barb 90° Elbow	2
12	Clamps	2
13	Nylobraid Drain Tubing	1
14	NPT Water Flow Switch	1
15	Saddle Mount Water Flow Switch	1

DIMENSIONS

SIZE	A	B	C	D	E
1¼"	14½" (369 mm)	14" (356 mm)	4¾" (120 mm)	6½" (165 mm)	11" (279 mm)
1½"	15½" (394 mm)	14¼" (362 mm)	4¾" (120 mm)	6¾" (171 mm)	12" (305 mm)
2"	15½" (394 mm)	14¾" (374 mm)	5" (127 mm)	7" (178 mm)	12" (305 mm)
2½"	17⅞" (435 mm)	14¼" (362 mm)	5⅝" (143 mm)	6" (152 mm)	14" (356 mm)
3"	17⅞" (435 mm)	15" (381 mm)	5⅞" (149 mm)	6⅝" (162 mm)	14" (356 mm)
4" *	17⅞" (435 mm)	19" (483 mm)	8" (203 mm)	6⅞" (175 mm)	14" (356 mm)
6" *	17⅞" (435 mm)	21⅞" (537 mm)	9⅞" (232 mm)	7⅞" (200 mm)	14" (356 mm)

* 4" and 6" RISERPACK®s utilize a 2" groove x groove M2500/2511 TESTANDRAIN® valve.

Dimensions have been rounded to the nearest ¼", except "E".

Confirm that enough space is left between the RISERPACK® and any obstructions to move handle of M2500/2511 TESTANDRAIN® valve into both "TEST" and "DRAIN" positions.